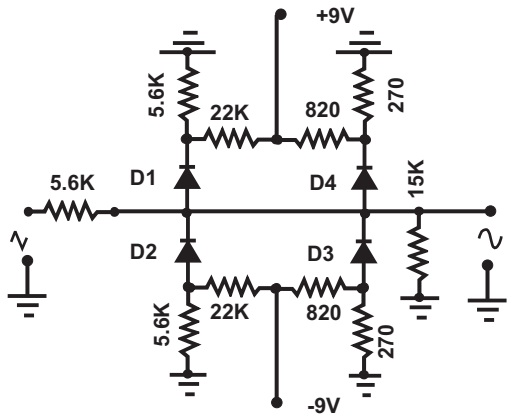
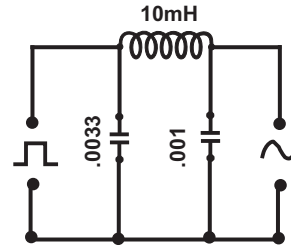


Circuits divers

Triangle to sine



Squate to sine



$$f = \frac{1}{2\pi\sqrt{LC}}$$

40KHz : L = 10mH C = .0015uF
 1 KHz : L = 100mH C = .22

40 KHz square to sine

